

Local building codes and principles should always be adhered to when installing WOLF PVC Decking. All installations are unique and the sole responsibility of the installer to determine specific requirements for each application. WOLF claims no liability or responsibility for the improper installation of this product. WOLF recommends that all designs be reviewed by a licensed engineer, architect, and/or local building inspector before installation.

STORAGE

- Store on a flat level surface.
- Do Not Stack bundles over 8 units high.
- Caution when using a forklift as forks will easily damage the decking.
- When using plastic banding (steel banding is not recommended), use corner protectors to prevent indenting the material.
- Keep factory applied covering on products until installed to protect against dirt and debris.

TOOLS

WOLF PVC Decking installation is comparable to wood or composite decking and the tools for install are similar.

- Battery operated (or Corded) drill/screwdriver is recommended.
- Self-feeding screw guns can also be used.
- Saw capable of miter cuts with a fine-toothed carbide tipped finish trim blade (12" 60-tooth min.) is recommended.
- Remember to wear safety glasses/goggles at all times.

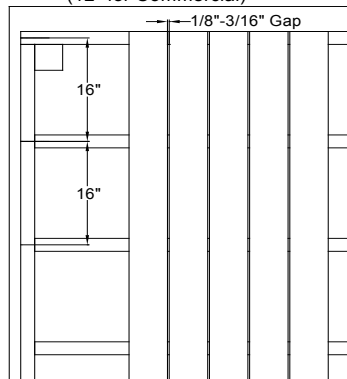
BEFORE YOU START – PREPARATION

IMPORTANT

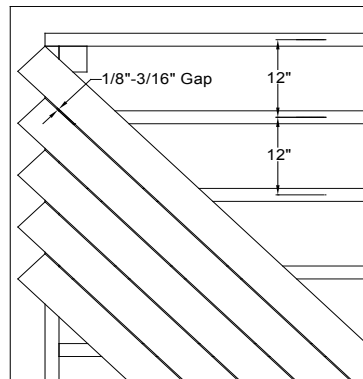
- WOLF PVC Decking is one-sided with the grain side up for the walking surface.
- Keep product orientated using print-line as a guide.
- Deck should be designed with at least 2" clearance underneath to allow for proper air circulation.
- If you are using an existing support structure; check all joists are level, structurally sound, and no nails or screws protruding.
- Correct joist spacing is required for proper installation (See Illustrations)
 - Do NOT exceed 16" center to center spacing when installing planks perpendicular to joists.
 - Do NOT exceed 12" center to center spacing for any and all commercial applications.
 - Do NOT exceed 12" center to center spacing when installing planks diagonal to joists, such as a herringbone pattern.



Basic Install
16" on Center Joist Spacing
(12" for Commercial)



Diagonal Install
12" on Center Joist Spacing



WOLF PVC DECKING INSTALLATION

RECOMMENDED FASTENERS

WOLF PVC Decking is designed for durability and correct fasteners must be used to ensure the quality of the installation. High quality fasteners that meet the following requirements are recommended:

- Stainless Steel
- #7 Screw Size Minimum
- 2 ¼" Length Minimum
- Coastal applications near salt water require a 316 Stainless Steel screw.
- For any other fastener systems contact WOLF customer service for compatibility.
- Dock and pier installations may have special fastening specifications as required by building codes. Contractor should check with authorities prior to installation.

CARE AND MAINTENANCE

WOLF PVC Decking, while very durable, must be maintained. The following recommendations will help keep the product looking its best:

- Periodic washing of the product using normal household products to remove dirt and debris.
- For rust removal, a household toilet bowl cleaner is recommended.
- NEVER use rubber backed items such as: mats, tarps, etc. for any extended amounts of time as these items may cause discoloration of the decking surface.
- Some chemicals in sun-block, insect repellent and similar products can alter the surface of WOLF PVC Decking. Check product labels and consult the manufacturer for compatibility with plastics before use.
- Ice Removal: Products containing calcium chloride can be used without damage to the surface but may leave a white residue. This can be cleaned using the principles outlined above. For snow removal only use a plastic shovel.
- For additional questions or concerns contact WOLF customer service.

EXPANSION AND CONTRACTION

WOLF PVC Decking, when installed with two screws per joist, will have minimal expansion and contraction due to temperature changes. There will be no side-to-side movement and small end-to-end change. **Only when installing in temperatures below 32° Fahrenheit leave a 1/16" gap at butt joints or miter cuts.**

- Fasten boards as soon after cutting as possible.
- Boards must be fastened with two screws no more than ¾" from the ends.
- Always leave a 1/4" gap between decking and any structure (wall or post).

STAIR TREADS

- Install WOLF PVC Decking boards on stringers set no more than 9 inches on center.
- Fasten boards using two screws per stringer per board.
- Over hang should not exceed ½ inch.

